

Solent Landing Winches



Our Standard Landing Winches are designed to be either bulkhead mounted or right angle bracket mounted as shown.

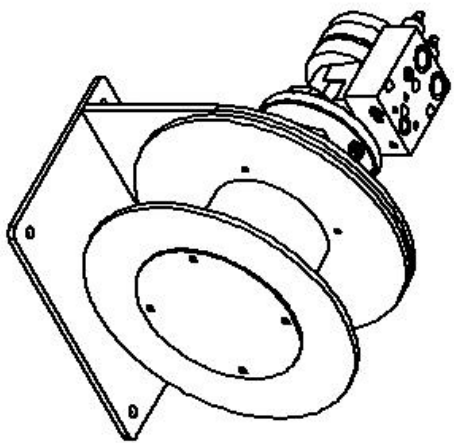
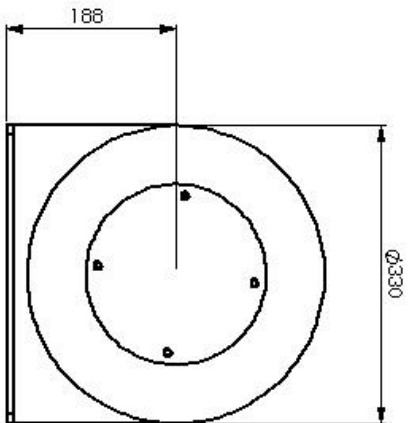
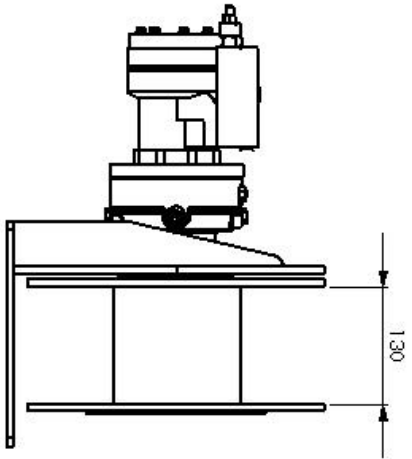
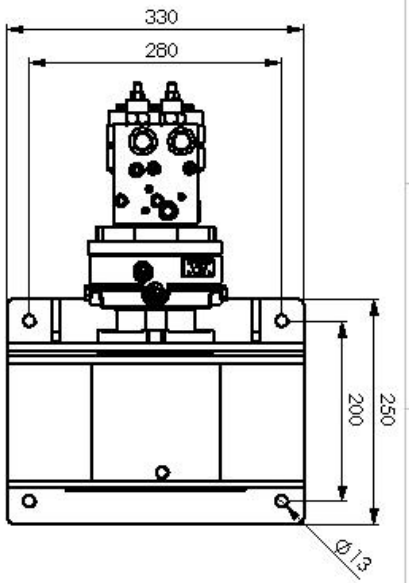
Motors are running through heavy sealed needle bearings and are available with or without hydraulic brake.

The base and Drum are totally manufactured in Marine Grade 316 Stainless Steel.

Motors and brake are painted in a tough Durable Two Pack Epoxy Paint.

Suitable for unloading the likes of fish boxes, cargo and fishing gear.

Dual overcentre valves are fitted as standard to prevent line creep.



- LANDING WINCH (630KG) REF SLW02
- HYDRAULIC MOTOR SIZE 315cc
- DRUM CAPACITY 45 METRES 10mm WIRE
- SPEED 140RPM
- TOP LAYER PULL 500KG
- FLOW 30LPM
- PRESSURE 130BAR
- AVAILABLE WITH OR WITHOUT BRAKE
- 316 STAINLESS STEEL CONSTRUCTION

BRITISH STANDARD SYMBOLS		FIRST		OTHER AND	
DIMENSIONS AND TOLERANCES		TOLERANCES		FINISHES	
UNITS		UNITS		UNITS	
GRADE	DAVIDBUDDEN	SECTION	DATE		
APP'D					
CHK'D					
DATE					
MATERIAL		QUANTITY		REMARKS	
316		1		SHEET 1 OF 1	

Solent Engineering Services

Solent Landing Winch

solentengineering@btconnect.com
Tel: +44(0)10 1238877/01245 512113