

Solent Engineering

01243 512113 /07876303239

Email solentengineeringsales@btconnect.com

Web solentengineering.co.uk

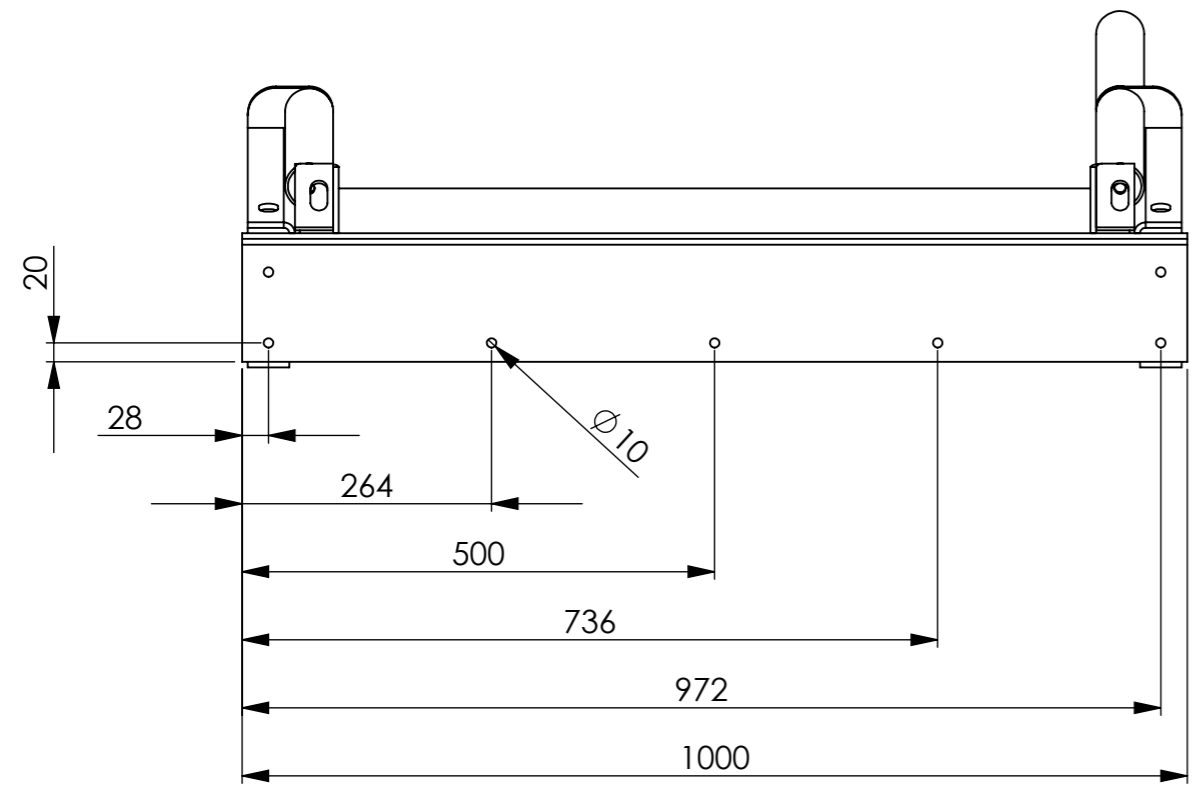
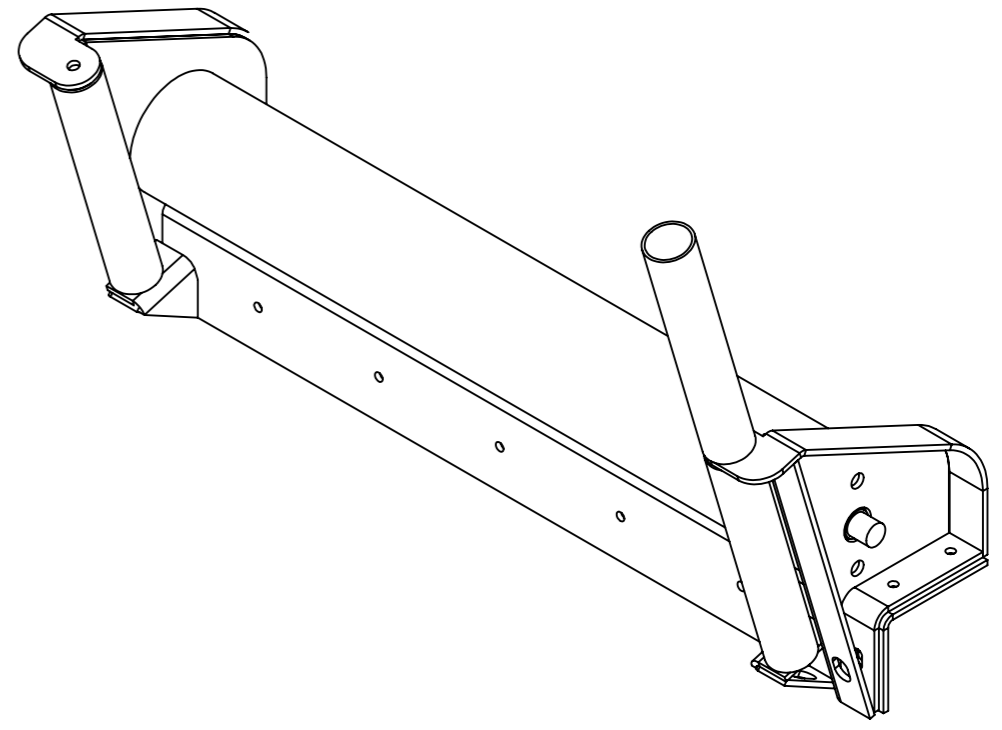
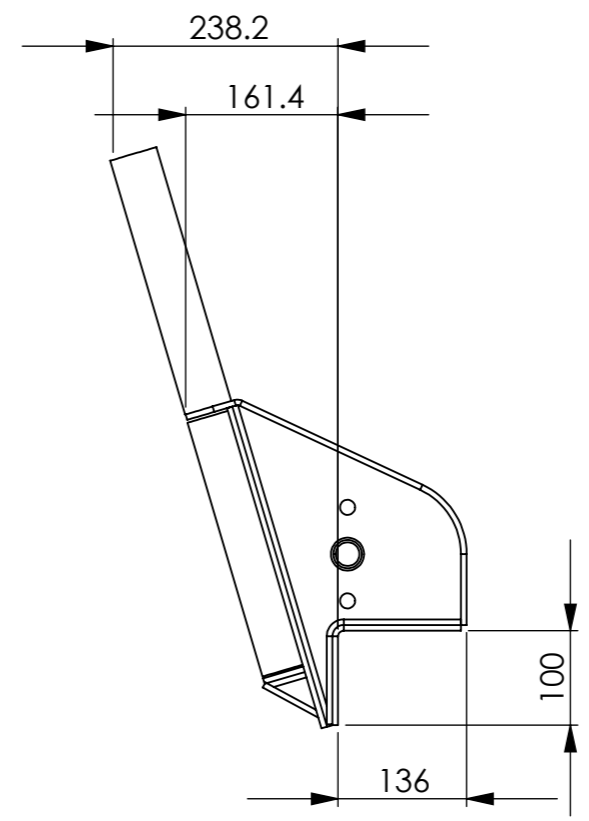
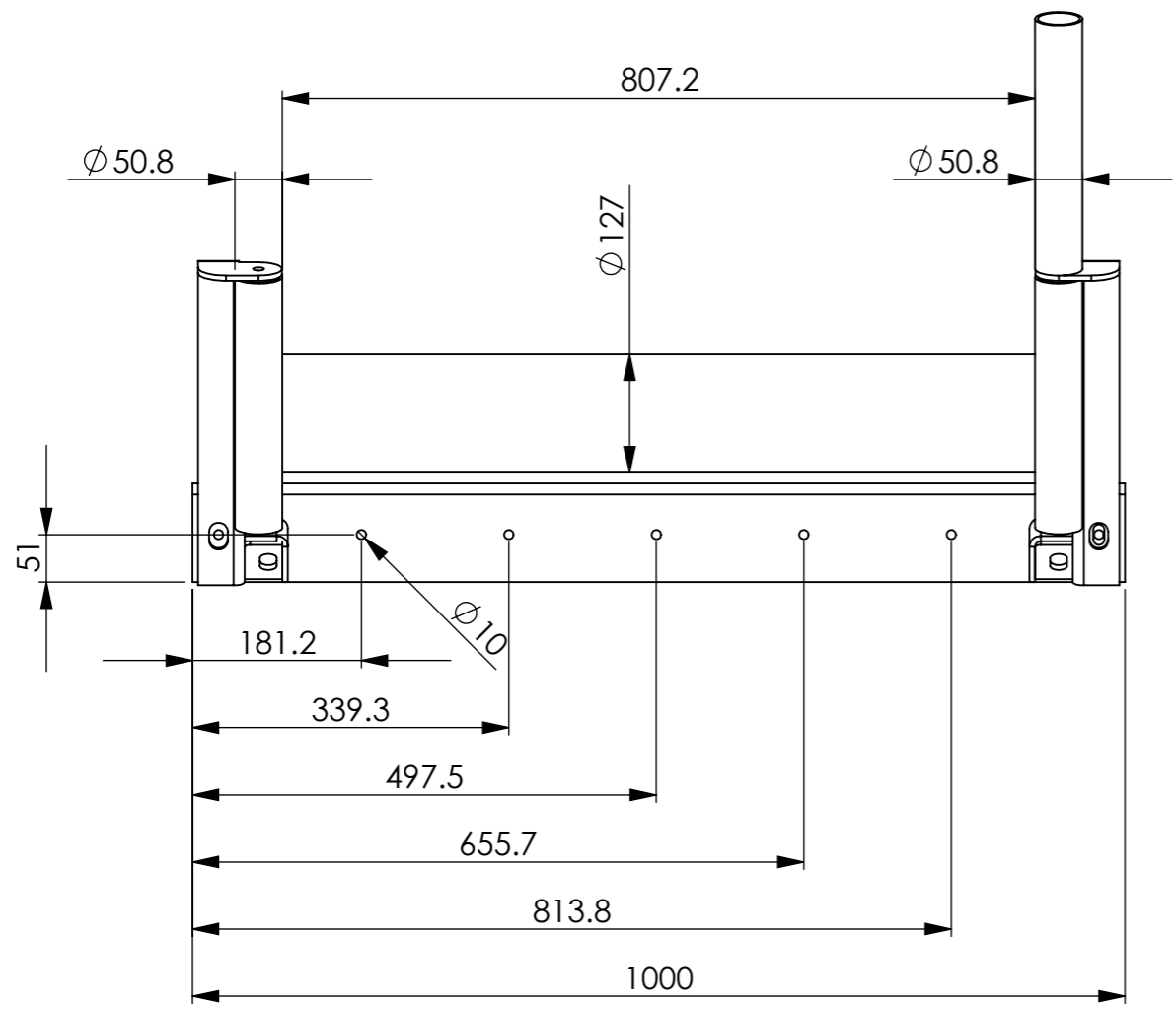
Inshore Gunwale Roller



The Ultimate roller for Inshore Potting Vessels

- 5.5 inch Roller Diameter
 - 816mm long roller
- Stainless Flange bearings
- Outboard Leading rollers on Stainless Roller Bearings

- 316 Stainless Steel 6mm Chassis



UNLESS OTHERWISE SPECIFIED: DIMENSIONS ARE IN MILLIMETERS SURFACE FINISH: TOLERANCES: LINEAR: ANGULAR:		FINISH:	DEBUR AND BREAK SHARP EDGES		DO NOT SCALE DRAWING	REVISION
DRAWN: D MIDDLETON				DWG NO.		
CHK'D				INSHORE GUNWHALE ROLLER		
APPV'D				solentengineering@btconnect.com		
MFG				Tel: +447810 123887 / 01243 512113		
Q.A				A3		
MATERIAL:				SHEET 1 OF 1		
WEIGHT:						