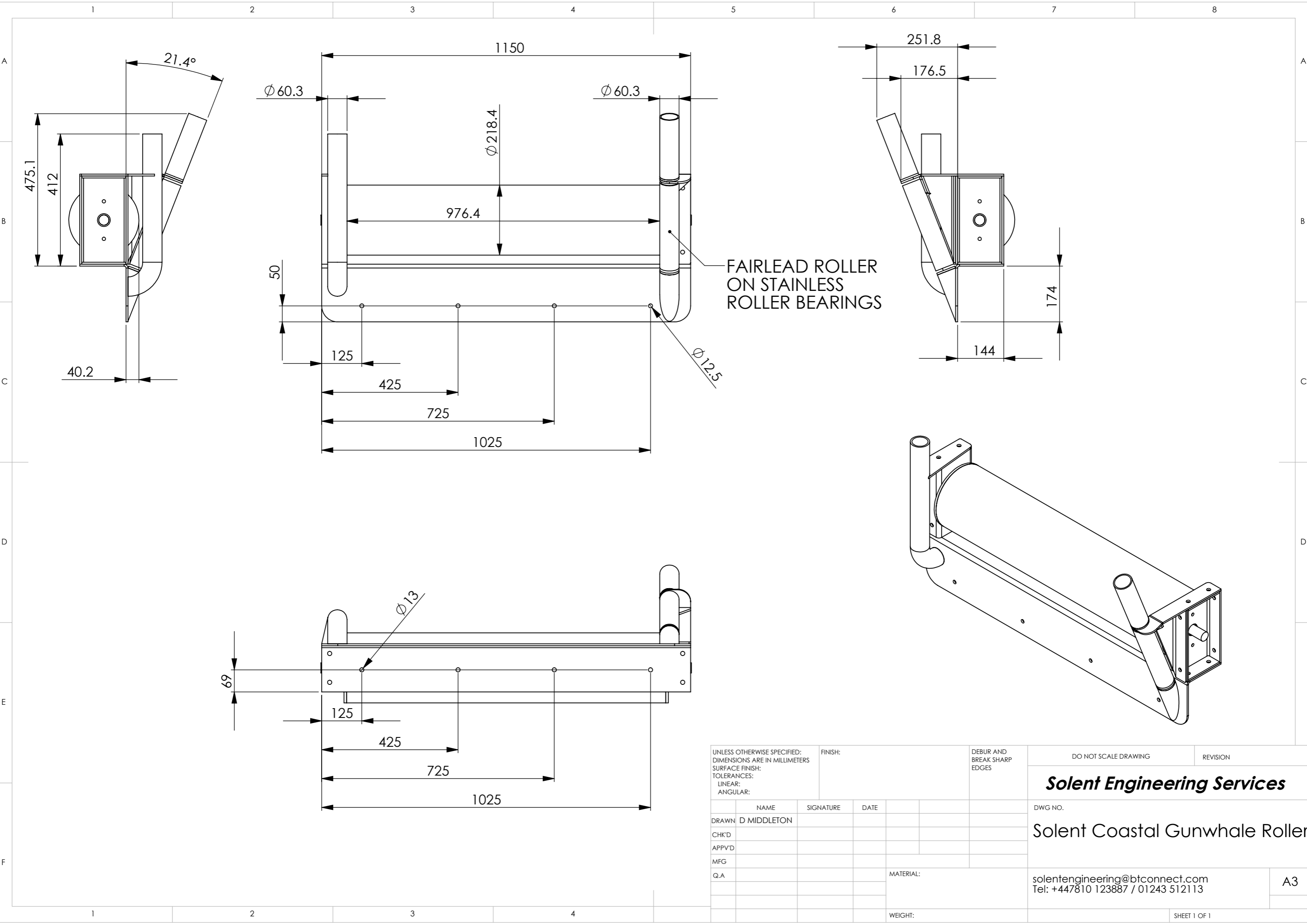


SOLENT Coastal Gunwale Roller



The Ultimate roller for Coastal Potting Vessels

- 8inch Roller Diameter
 - 1000mm long roller
 - Stainless Flange bearings
- Outboard Leading roller on Stainless Bearings
 - Stainless Steel 316 6mm Chassis
 - Table mounting holes on inboard side



UNLESS OTHERWISE SPECIFIED: DIMENSIONS ARE IN MILLIMETERS SURFACE FINISH: TOLERANCES: LINEAR: ANGULAR:		FINISH:	DEBUR AND BREAK SHARP EDGES	DO NOT SCALE DRAWING	REVISION
DRAWN: D MIDDLETON				DWG NO.	
CHK'D				Solent Engineering Services	
APPV'D				Solent Coastal Gunwhale Roller	
MFG				solentengineering@btconnect.com	
Q.A				Tel: +447810 123887 / 01243 512113	
MATERIAL:				A3	
WEIGHT:				SHEET 1 OF 1	