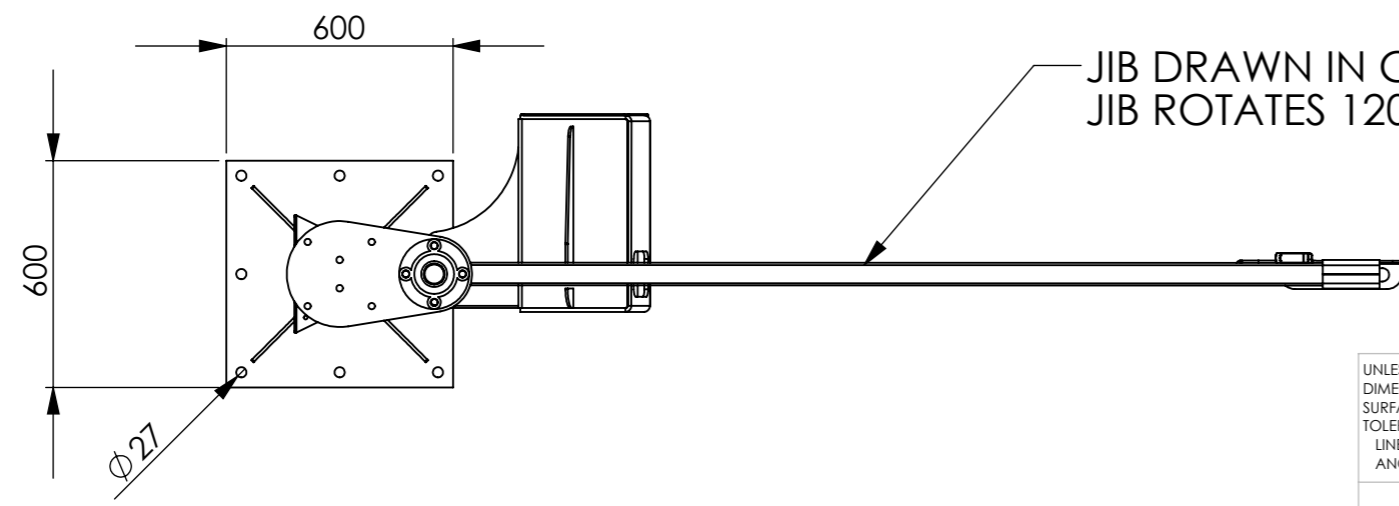
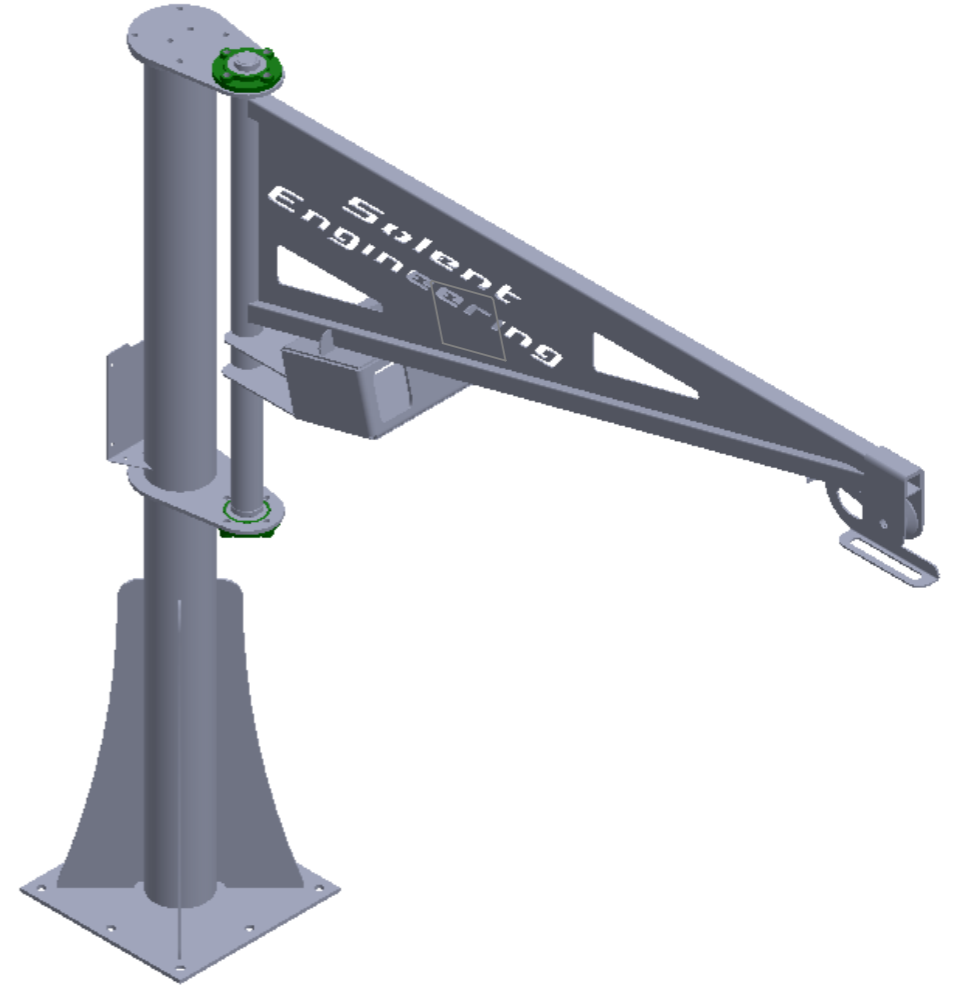


5 INCH DIAMETER
STAINLESS ROLLER ON 25mm
SHAFT AND BRONZE BEARING



JIB DRAWN IN CENTRE POSITION
JIB ROTATES 120 DEGREES EITHER SIDE OF CENTRE

UNLESS OTHERWISE SPECIFIED: DIMENSIONS ARE IN MILLIMETERS SURFACE FINISH: TOLERANCES: LINEAR: ANGULAR:		FINISH:	DEBUR AND BREAK SHARP EDGES		DO NOT SCALE DRAWING	REVISION
DRAWN: D MIDDLETON		SIGNATURE	DATE		Solent Engineering Services DWG NO. Solent 500kg Davit	
CHK'D						
APPV'D						
MFG						
Q.A				MATERIAL:	solentengineering@btconnect.com Tel: +447810 123887 / 01243 512113	
				WEIGHT:	A3	
					SHEET 1 OF 1	