

Solent Engineering

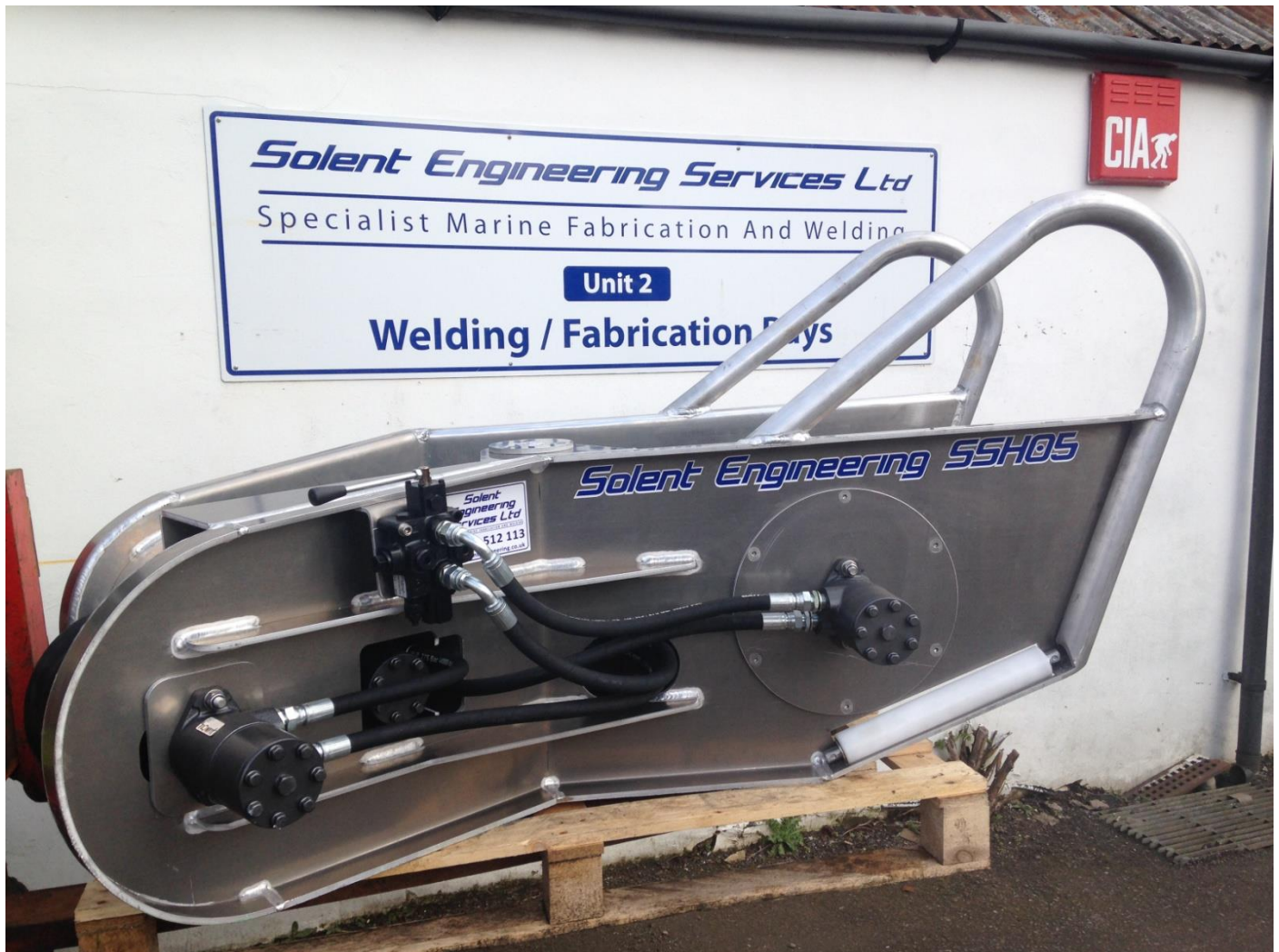
01243 512113 /07876303239

Email solentengineeringsales@btconnect.com

Web solentengineering.co.uk

SSH05

NET HAULER

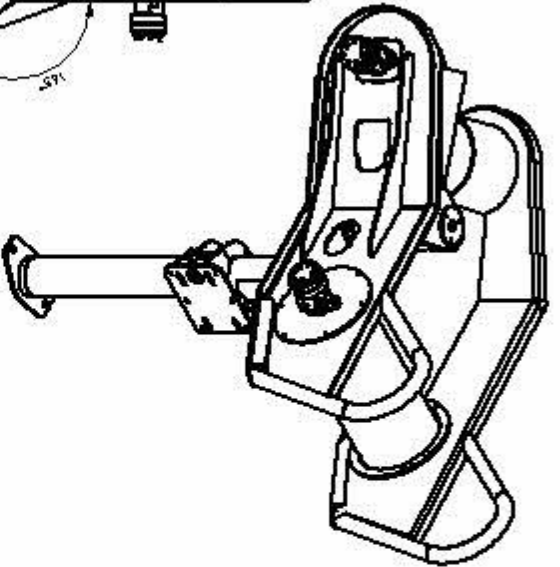
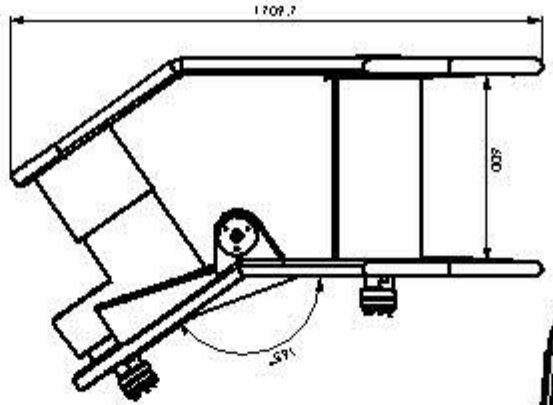
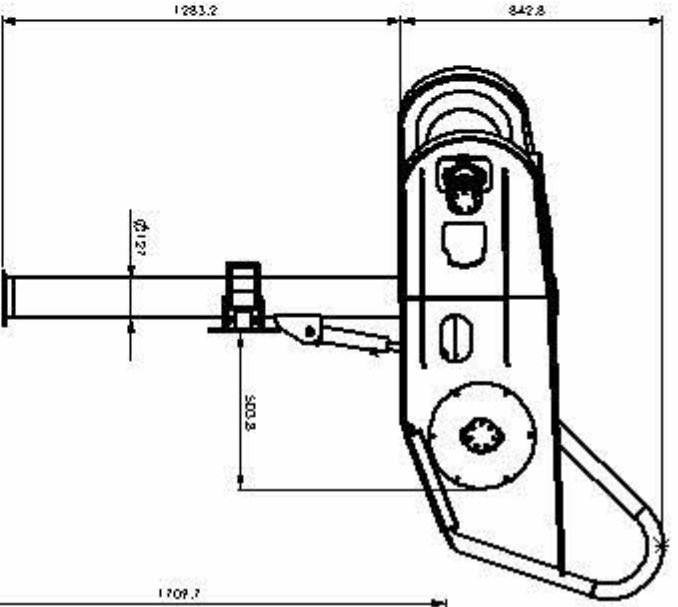


STARBOARD SIDE

PORT SIDE AVAILABLE

COMES COMPLETE WITH PEDESTAL LEG, CLAMP, SWIVEL FOOT, VARIABLE CONTROL VALVE WITH RELIEF VALVE,

**SUPPLIED PIPED READY FOR USE, HYDRAULIC TILT AND FLUSH
FIT LEDS LIGHTS**



SPECIFICATIONS

- RELIEF TO 750KG PULL
- AVERAGE HAULING SPEED 80rpm
- MAXIMUM HAULING SPEED 140rpm
- WEIGHT 175KG
- OIL FLOW 50-80lpm
- PRESSURE 200BAR

PROJECT TITLE / CLIENT NAME PROJECT NO. / DATE DRAWING NO. / SCALE		SHEET NO. / TOTAL SHEETS DESIGNED BY / CHECKED BY	
COMPANY NAME ADDRESS CONTACT INFO		PROJECT LOCATION PROJECT STATUS	
PROJECT DESCRIPTION SPECIFICATIONS		DRAWING TITLE SCALE	
PROJECT NO. / DATE		SHEET NO. / TOTAL SHEETS	
COMPANY NAME ADDRESS CONTACT INFO		PROJECT LOCATION PROJECT STATUS	
PROJECT DESCRIPTION SPECIFICATIONS		DRAWING TITLE SCALE	
PROJECT NO. / DATE		SHEET NO. / TOTAL SHEETS	
COMPANY NAME ADDRESS CONTACT INFO		PROJECT LOCATION PROJECT STATUS	
PROJECT DESCRIPTION SPECIFICATIONS		DRAWING TITLE SCALE	
PROJECT NO. / DATE		SHEET NO. / TOTAL SHEETS	