

SSH04Plus

SELF HAULING

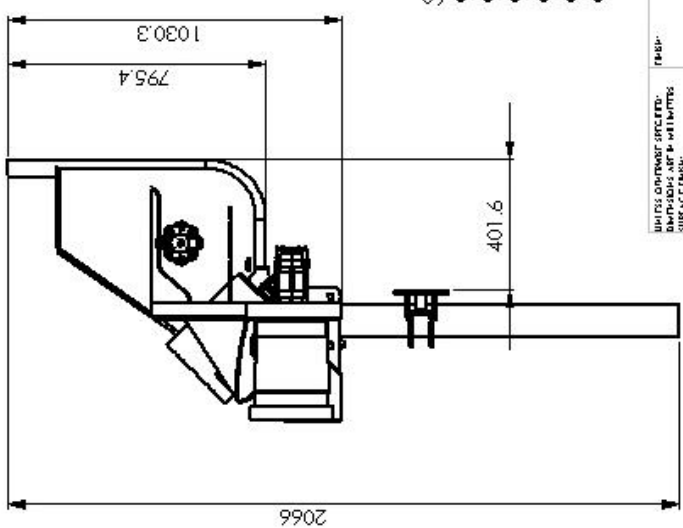
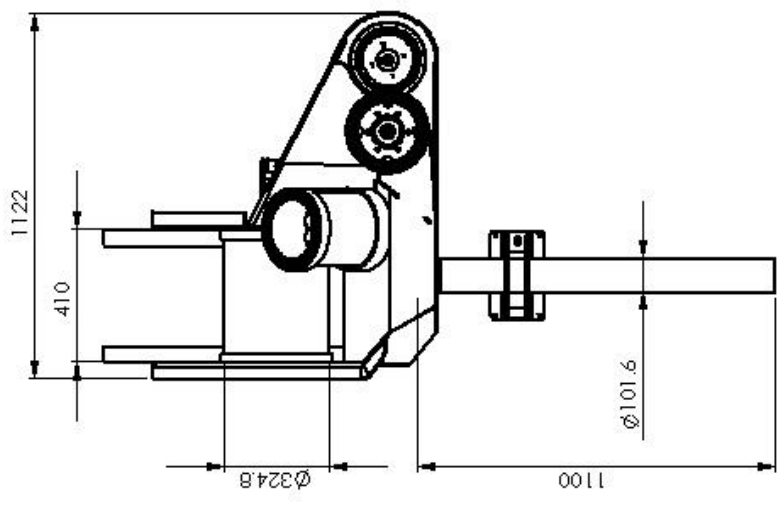
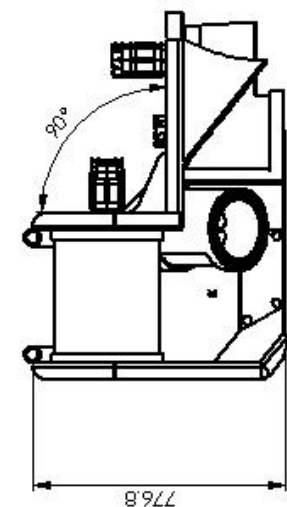
NET HAULER



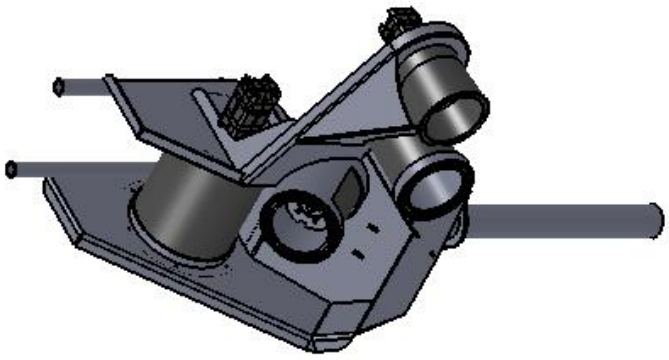
PORTSIDE SIDE

STARBOARD SIDE AVAILABLE

COMES COMPLETE WITH PEDESTAL LEG, CLAMP, SWIVEL FOOT, VARIABLE CONTROL VALVE WITH RELIEF VALVE, SUPPLIED PIPED READY FOR USE



- SPECIFICATION:**
- AVERAGE WORKING SPEED 75metres/min
 - MAX WORKING SPEED 150metres/min
 - MOTOR PULL 750kg
 - WEIGHT 140kg
 - HYDRAULIC FLOW REQUIRED 30Lpm
 - HYDRAULIC PRESSURE REQUIRED 140bar



UNITS OF MEASURE SPECIFIED: DIMENSIONS: METRIC & MILLIMETRES		TEMPERATURE: TEMPERATURES: METRIC & MILLIMETRES		DRAWING NO. FOR SCALING DRAWING		REVISED	
SUBJECT: PUMP		SUBJECT: PUMP		DRAWING NO.		REVISED	
AUTOMATICALLY GENERATED		AUTOMATICALLY GENERATED		DRAWING NO.		REVISED	
DESIGN	DATE	DESIGN	DATE	Solent SSH04Plus			
CHKD		CHKD		Solent SSH04Plus			
APP'D		APP'D		Solent SSH04Plus			
MFG		MFG		Solent SSH04Plus			
Q.A.		Q.A.		Solent SSH04Plus			
				solentengineering@btconnect.com			
				Tel: +447810 123887 / 01243 512115			
				A3			
				sheet 1 of 1			

Solent Engineering Services

