

Solent Engineering

01243 512113 /07876303239

Email solentengineeringsales@btconnect.com

Web solentengineering.co.uk

SSH04 Gen2

NET HAULER



STARBOARD SIDE

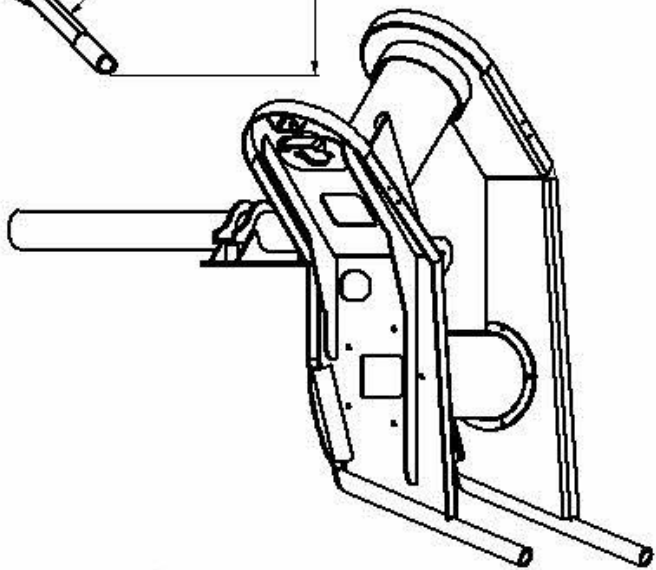
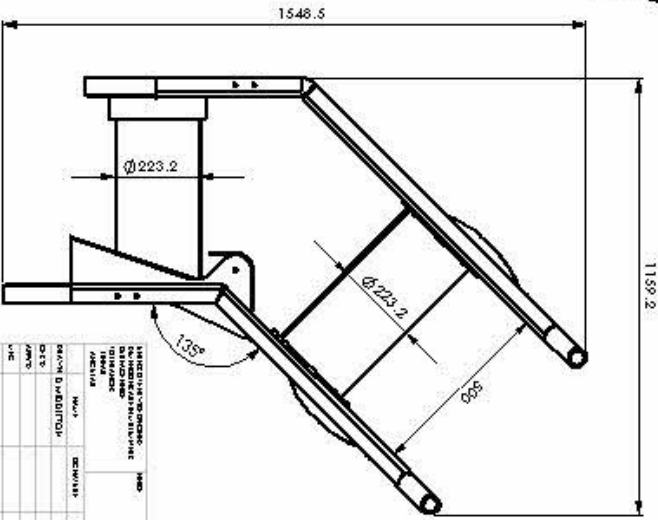
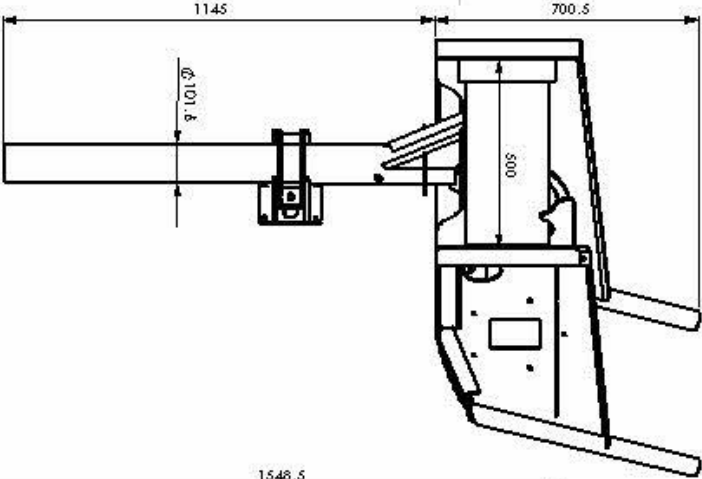
PORT SIDE AVAILABLE

COMES COMPLETE WITH PEDESTAL LEG, CLAMP, SWIVEL FOOT, VARIABLE CONTROL VALVE WITH RELIEF VALVE, SUPPLIED PIPED READY FOR USE

OPTIONS AVAILABLE MOTOR COVER, HYDRAULIC TILT AND FLUSH FIT LEDS LIGHTS FOR ILLUMINATION OUTBOARD

SPECIFICATIONS

- 600KG PULL
- AVERAGE HAULING SPEED 70m/pm
- MAXIMUM HAULING SPEED 130m/pm
- WEIGHT 90KG
- OIL FLOW 15-25lpm
- PRESSURE 200 Bar



| REV | DATE | DESCRIPTION | BY | CHKD | APP'D |
|-----|------|----------------------|----|------|-------|
| 01 | | ISSUE FOR PRODUCTION | | | |

| NO. | REVISIONS | DATE | BY | CHKD | APP'D |
|-----|-----------|------|----|------|-------|
| 1 | | | | | |

| NO. | REVISIONS | DATE | BY | CHKD | APP'D |
|-----|-----------|------|----|------|-------|
| 1 | | | | | |

| | | | | | |
|------------------------------------|--|--|--|----------------------------|--|
| Solent Engineering Services | | | | SSH04 GEN 2 | |
| Sole Trading Engineers | | | | Sole Trading Engineers | |
| 1150 Westborough Road | | | | 1150 Westborough Road | |
| Hemel Hempstead, Herts | | | | Hemel Hempstead, Herts | |
| Tel: +44 (0) 1462 420000 | | | | Tel: +44 (0) 1462 420000 | |
| Fax: +44 (0) 1462 420001 | | | | Fax: +44 (0) 1462 420001 | |
| Email: sales@solenteng.com | | | | Email: sales@solenteng.com | |