

**Solent Engineering**

**01243 512113 /07876303239**

Email [solentengineeringsales@btconnect.com](mailto:solentengineeringsales@btconnect.com)

Web [solentengineering.co.uk](http://solentengineering.co.uk)

# SSH03

## NET HAULER

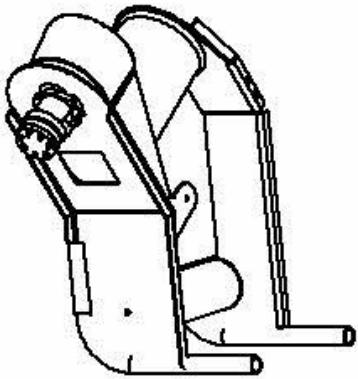
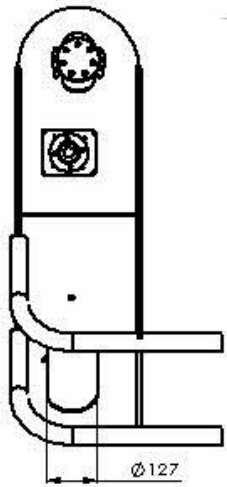
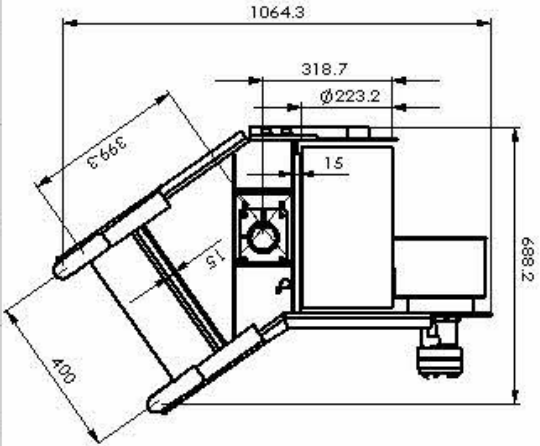
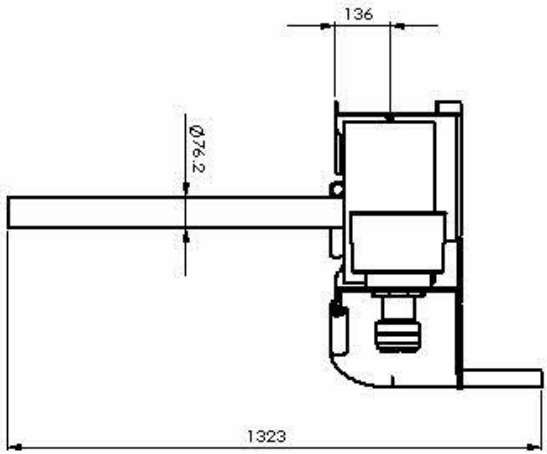


**STARBOARD SIDE**

**PORT SIDE AVAILABLE**

**COMES COMPLETE WITH PEDESTAL LEG, CLAMP, SWIVEL FOOT, VARIABLE CONTROL VALVE WITH RELIEF VALVE, SUPPLIED PIPED READY FOR USE**

**COMBI AVAILABLE WITH REMOVABLE DAVIT AND LINE SHEAVE.**



**PERFORMANCE SPECIFICATION**

- AVERAGE HAULING SPEED 70 MPM
- MAX HAULING SPEED 130MPM
- NET PULL 500KG
- LINE HAULER PULL 250KG
- WEIGHT OF NET HAULER 48KG
- WEIGHT OF LINE HAULER 9.8KG
- WEIGHT OF DAVIT 8KG
- OIL FLOW 10-16LPM
- MAX PRESSURE 200BAR

MANUFACTURER'S DESIGN		REVISED DESIGN		REVISION		DATE		BY		CHECKED		DATE		BY	
<p><b>Solent Engineering Services</b>  SSH03 Chassis Underside</p> <p>solentengineering@btconnect.com  Tel: +44(0)12837 70243/52113</p>															
AS															