

Solent Engineering

01243 512113 /07876303239

Email solentengineersales@btconnect.com

Web solentengineering.co.uk

SNS01

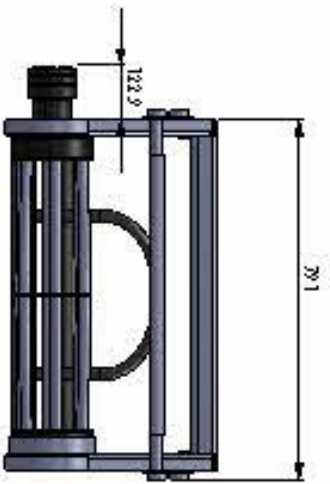
NET CLEARER

NET STACKER



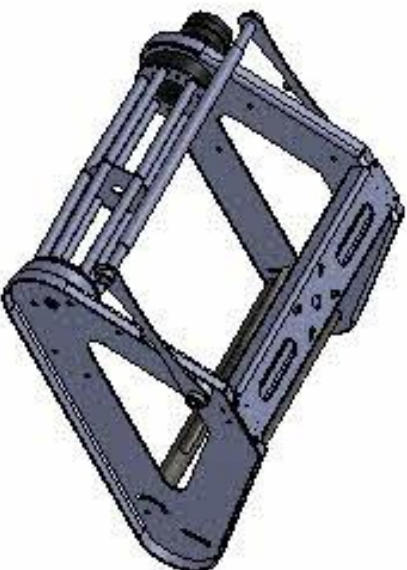
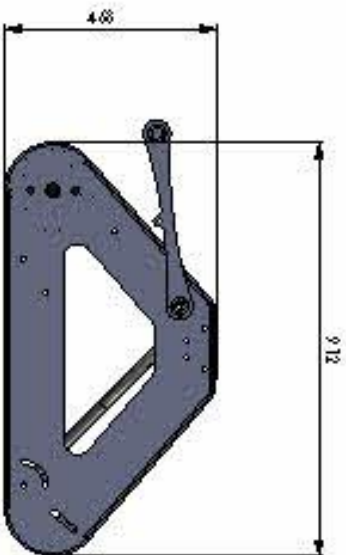
SOLENT SNS01 IS DEVELOPED FOR NET CLEARING AND STACKING, FEATURES INCLUDE VARIABLE ANGLE SPREADER BOW, ADJUSTABLE FAIR LEAD ENTRANCE, STAINLESS 316 TENSION SPRINGS.





SPECIFICATION

- WEIGHT 45kg
- AVERAGE CLEARING SPEED 100m³/m
- OIL FLOW 10lpm
- PRESSURE 140bar



SHEET INFORMATION		DATE		DRAWN BY	
PROJECT NO.		DATE		NAME	
DESCRIPTION					
Solent Engineering Services				SHEET NO.	
SNS01 CHASSIS FOOTPRINT				PROJECT NO.	
www.solent-engineering.com				DATE	
Tel: 04500 12800 / 01329 31215				SCALE	
				A3	