

***Solent Engineering***

**01243 512113 /07876303239**

Email [solentengineersales@btconnect.com](mailto:solentengineersales@btconnect.com)

Web [solentengineering.co.uk](http://solentengineering.co.uk)

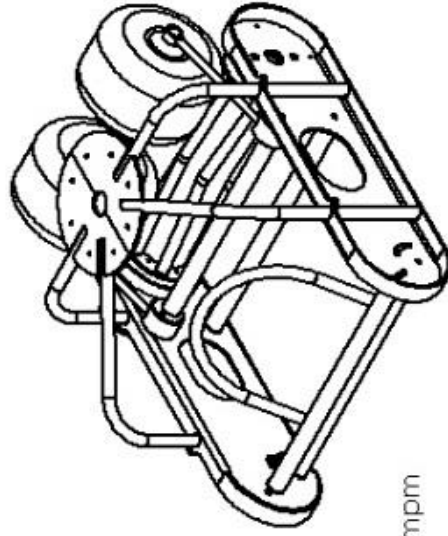
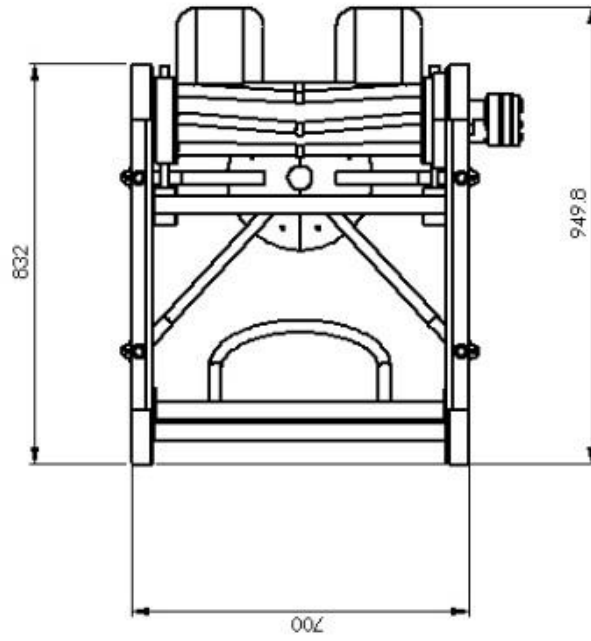
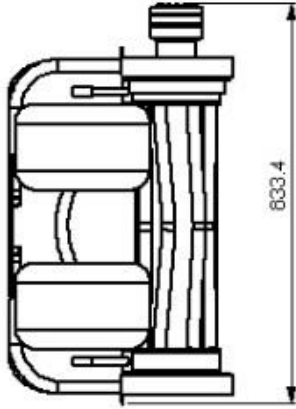
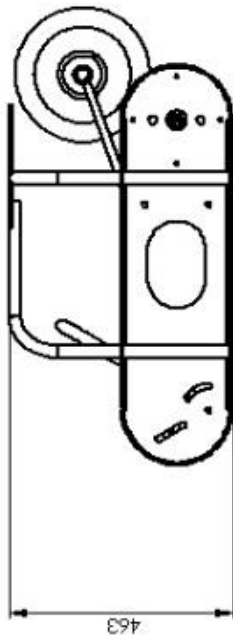
# SCS01

**NET CLEARER**

**NET STACKER**



**SOLENT SCS01 IS DEVELOPED FOR NET CLEARING AND STACKING, FEATURES INCLUDE VARIABLE ANGLE SPREADER BOW, ADJUSTABLE FAIR LEAD ENTRANCE, LIGHT WEIGHT AND QUICK CHANGE WEAR PADS.**



- SPECIFICATION**
- AVERAGE WEIGHT 29kg
  - AVERAGE CLEARING SPEED 100mpm
  - AVERAGE OIL FLOW 8lpm
  - PRESSURE 140Bar

UNITS OF MEASURE: METRIC		UNITS OF MEASURE: IMPERIAL		UNITS OF MEASURE: METRIC		UNITS OF MEASURE: IMPERIAL	
DESCRIPTION	UNIT	DESCRIPTION	UNIT	DESCRIPTION	UNIT	DESCRIPTION	UNIT
BRAND	DAVIDBROUN	BRAND	DAVIDBROUN	DATE		DATE	
CHG		CHG		BY		BY	
APP'D		APP'D		DATE		DATE	
W/C		W/C		DATE		DATE	
D.A.		D.A.		DATE		DATE	
<b>Solent Engineering Services</b> Solent Compact Stacker				solentengineering@btconnect.com Tel: +447810 123887 / 01243 512113			
				A3			
				SHEET 1 OF 1			